

Custom Sample Line Assemblies for Patient Breath Analysis

Powered with Nafion™ tubing — the most elegant way to remove moisture

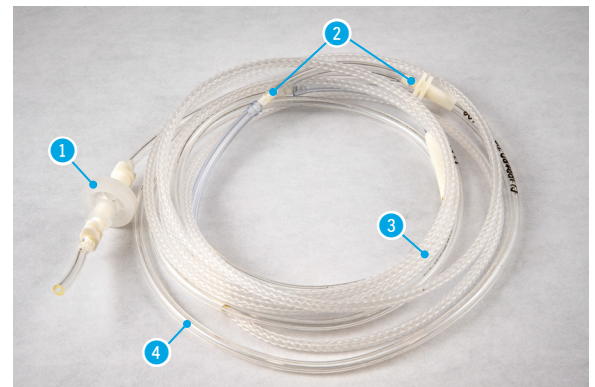
You save significant time, cost, and effort by having your entire gas sample lines assembled at Perma Pure

KEY BENEFITS

- Reduced Operational Costs
- Consolidated Supply Chain
- Minimal Quality Risks and Touch Points
- Shortened Lead Times
- Improved Time to Market

PRINCIPLE OF OPERATION

Our expertise in moisture control allows you to deliver life supporting equipment to hospitals and healthcare professionals. To improve efficiency, quality control and quicken lead times, you can partner with us to deliver entire gas sample lines made with Nafion™ tubing built in it. We work closely with you to control labor and shipping while optimizing your supply chain.



1 Filter

2 Connectors

3 Nafion™ tubing

4 Tygon tubing



ABOVE: Custom-made, custom-labeled assembly to use in tiny spaces for easy replacement and maintenance.

Advanced Assembly to Meet Your Specific Product Needs

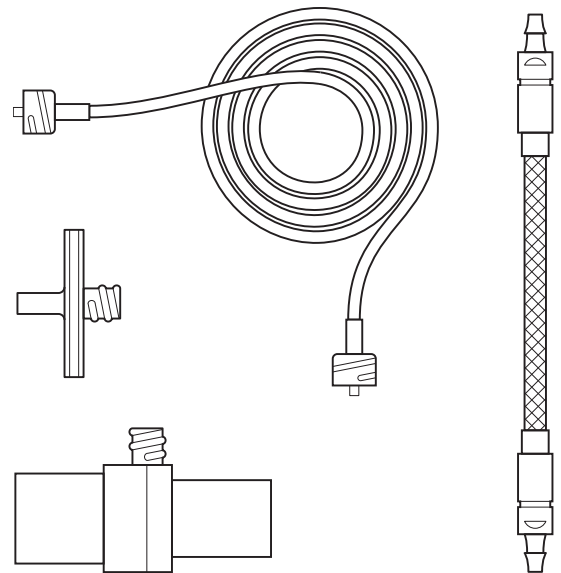
Take advantage of our in-house Engineering expertise from beginning of product lifecycle through assembly of your complete sample lines



SAVE COSTS WITHOUT COMPROMISING QUALITY

You can provide us with your design of the assembly, or you can work with us to design your assembly. In both cases, the long-term benefits to you include access to moisture control expertise, cost savings and superior quality control.

Your demand dictates how we scale production capacity in order to optimize your demand planning resources.



ABOVE: We source and assemble custom sample lines to meet your exact specifications. Customizations include (but not limited to): End fittings, connectors, length of tubing, etc.

How We Work With You

from Design through Delivery



DEVELOP

- Develop optimal assembly design by working closely with Perma Pure Engineering, employing our expertise and agile methods
- Determine best pricing with appropriate lead times and costs savings with Perma Pure Commercial Team
- Perma Pure will manage Quality, Cost and Delivery in the Supply Chain



DELIVER

- Finalize design with you
- Set quality control measures, NOTE: All of our products are 100% tested.
- Organize production based on demand
- Manufacture products under controlled cGMP conditions



PARTNER (Upon final approval of production parts)

- Arrange your drop-ship location for direct product shipments
- Scale up production based on your requirements
- Manage demand vs lead-time

PERMA PURE CERTIFICATIONS



ISO 13485

FDA
REGISTERED

FDA Registered as a
Manufacturer and a
Contract Manufacturer



ISO 9001